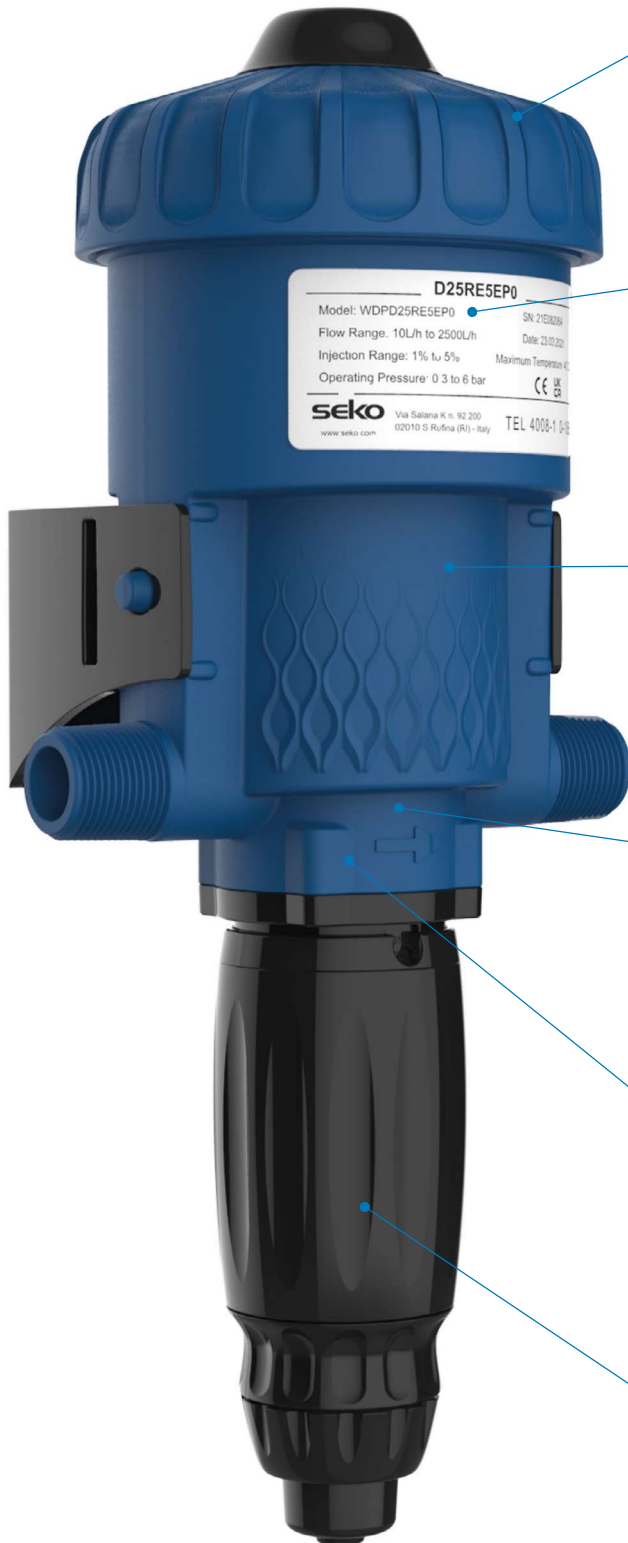


Features & benefits



Low operating & maintenance costs

Hydrakos's robust components and intelligent design make the system inexpensive to both run and maintain



High-precision, repeatable dosing

Operators can depend upon Hydrakos to dose a range of chemicals with superior accuracy every time



Non-electric

The pump's absence of electrical connection make it the perfect solution for operators seeking to achieve precise dosing even in remote locations



Reduced cleaning and servicing time

The exceptional build quality of Hydrakos allows operators to spend minimal time servicing the system



Self-priming and efficient mixing

Removing the need for manual priming, Hydrakos brings speed and efficiency to every dosing application



Easily regulated injection rate

With an adjustable dosing percentage depending on the selected model, users enjoy ultra-tight control to prevent chemical wastage and associated costs

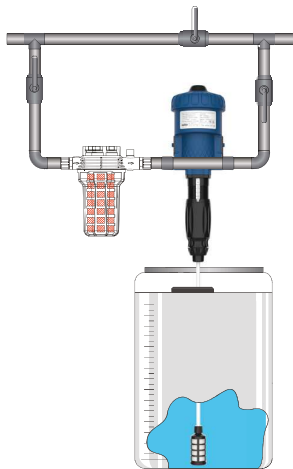
Hydrakos

Automatic chemical dosing systems

SEKO's Hydrakos water-driven pumps are the latest addition to our world-leading range of chemical dosing systems, offering an alternative to automatic solenoid, peristaltic and motor-driven metering to serve a vast range of applications.

Installed directly in the water supply line, the Hydrakos uses water pressure as its power source and automatically mixes concentrated chemical proportional to water volume regardless of variations in flow or pressure which may occur in the main line.

This ultra-reliable dosing method means operators can rely on consistent performance in applications as varied as water treatment, automotive care and industrial processes.



Pump installation

In order to optimise your installation and get the most out of your water-driven pump, we recommend the following guidelines are met:

- Refer to local water regulations
- Install a filter upstream depending on water quality
- Change dosing seals at least once a year
- Rinse as often as possible with clean water
- Turn off water supply and allow pressure to drop to zero before adjusting injection rate
- Install necessary protections for excess flow, excess pressure and water hammer



Features

- Easily regulated injection rate
- Portability (emergency skids)
- Low operating and maintenance costs
- Dose any liquid or water-soluble product
- Precise, repeatable dosing
- Non-electric (energy saving)
- Simple dosage adjustment (in % increments)
- Self-priming and efficient mixing
- Optimal water and polymer consumption
- Reduced cleaning and maintenance time
- Automatic dosing stops in event of water flow ceasing

Specification

Model	D25RE020	D25RE050	D25RE100
Injection Dosage	0.2–2%	1–5%	3–10%
Water Flow Rate*	10 - 2,500 l/h	10–2,500 l/h	10–2,000 l/h
Pressure	0.3–6 bar	0.3–6 bar	0.3–4 bar
Concentrated Additive Injection Rate	0.02–50 l/h	0.1–125 l/h	0.3–200 l/h

*For other fluids than water, please contact us

Hydrakos key code

Model							
WDP	Water driven pump.						
Type	Pressure [bar]	Flow rate [l/h]	Ø Hydr Connections IN/EXT. [mm]	Concentrated product injection rate		Adjustable dosage	
				[l/h]	[%]	[1:]	
D25	0.3 - 6	10 - 2,500	¾" M BSP-NPT Ø 20 x 27mm	0.02 - 50	0.2 - 2	500 - 50	
	0.3 - 4	10 - 2,000		0.1 - 125	1 - 5	100 - 20	
				0.3 - 200	3 - 10	33 - 10	
Injection dosage							
RE	External adjustable						
Dosage range	%	1:					
020	2	50					
050	5	20					
100	10	10					
Seals							
F	FPM						
E	EPDM						
A	AFLAS						
Body material							
P	PP						
V	PVDF						
Mixing device							
0	Internal						
Market							
0	Western						
WDP	D25	RE	020	F	V	0	0



Hydrakos with PP body

- The ideal general-purpose pump
- Broad chemical compatibility
- Suitable for fresh, salt and deionised water
- Commonly used for chemicals as varied as formaldehyde, potassium and sulfuric acid



Hydrakos with PVDF body

- Exceptional chemical compatibility
- Superior thermal stability and resistance to stress cracks
- High corrosion resistance